

IC2
SCHWINN®



CE This product is compliant with the applicable CE requirements.

ASSEMBLY MANUAL / OWNER'S MANUAL

TABLE OF CONTENTS

Important Safety Instructions	3	Operations	18
Safety Warning Labels / Serial Number	5	Adjustments	18
Specifications	6	Workout Mode	19
Before Assembly	6	Pausing or Stopping	19
Parts	7	Service Mode	20
Hardware	8	Maintenance	21
Tools	8	Chain Lubrication	21
Assembly	9	Replacing the Console Batteries	21
Leveling the Bike	15	Troubleshooting	23
Moving the Bike	15		
Features	16		
Emergency Stop	16		
Console Features	16		

To validate warranty support, keep the original proof of purchase and record the following information:

Serial Number _____

Date of Purchase _____

To register your product warranty, contact your local distributor.

If you have questions or problems with your product, please contact your local Schwinn distributor.

To find your local distributor, go to: **www.nautilusinternational.com**

Nautilus, Inc., www.nautilusinternational.com | Nautilus, Inc., 18225 NE Riverside Parkway, Portland, OR 97230 USA | Printed in China | © 2014 Nautilus, Inc. | ® indicates trademarks registered in the United States. These marks may be registered in other nations or otherwise protected by common law. Schwinn, the Schwinn Quality logo, Schwinn IC2, Bowflex, Nautilus, and Universal are trademarks owned by or licensed to Nautilus, Inc.

ORIGINAL MANUAL - ENGLISH VERSION ONLY

IMPORTANT SAFETY INSTRUCTIONS

 This icon means a potentially hazardous situation which, if not avoided, could result in death or serious injury.


Obey the following warnings:

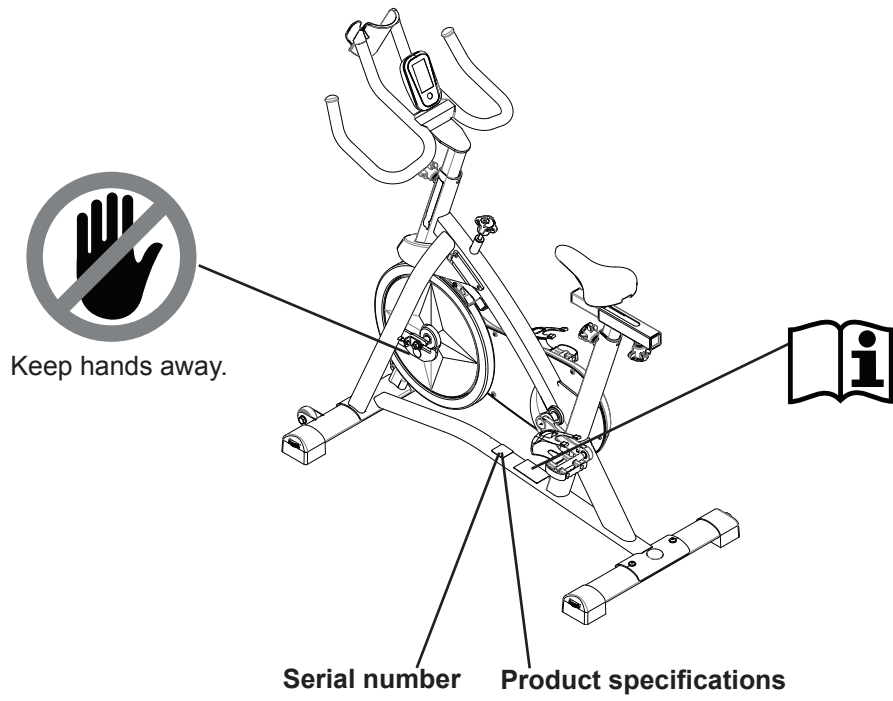
 Read and understand all warnings on this machine.

Carefully read and understand the Assembly instructions.

- Keep bystanders and children away from the product you are assembling at all times.
- Do not install the batteries into the machine until instructed to do so.
- Do not assemble this machine outdoors or in a wet or moist location.
- Make sure assembly is done in an appropriate work space away from foot traffic and exposure to bystanders.
- Some components of the machine can be heavy or awkward. Use a second person when doing the assembly steps involving these parts. Do not do steps that involve heavy lifting or awkward movements on your own.
- Set up this machine on a solid, level, horizontal surface.
- Do not try to change the design or functionality of this machine. This could compromise the safety of this machine and will void the warranty.
- If replacement parts are necessary, use only genuine Nautilus replacement parts and hardware. Failure to use genuine replacement parts can cause a risk to users, keep the machine from operating correctly and void the warranty.
- Do not use until the machine has been fully assembled and inspected for correct performance in accordance with the Manual.
- Read and understand the complete Manual supplied with this machine before first use. Keep the Manual for future reference.
- Do all assembly steps in the sequence given. Incorrect assembly can lead to injury or incorrect function.

Before using this equipment, obey the following warnings:

-  **Read and understand the complete Manual. Keep the Manual for future reference.**
- Read and understand all warnings on this machine. If at any time the Warning stickers become loose, unreadable or dislodged, contact your local distributor for replacement stickers.**
- Children must not be let on or near to this machine. Moving parts and other features of the machine can be dangerous to children.
 - Not intended for use by anyone under 14 years of age.
 - Consult a physician before you start an exercise program. Stop exercising if you feel pain or tightness in your chest, become short of breath, or feel faint. Contact your doctor before you use the machine again. Use the values calculated or measured by the machine's computer for reference purposes only.
 - Before each use, examine this machine for loose parts or signs of wear. Do not use if found in this condition. Monitor the Seat, Pedals, and Crank Arms closely. Contact your local distributor for repair information.
 - Maximum user weight limit: 113 kg (250 lbs.). Do not use if you are over this weight.
 - This machine is for home use only.
 - Do not wear loose clothing or jewelry. This machine contains moving parts. Do not put fingers or other objects into moving parts of the exercise equipment.
 - Set up and operate this machine on a solid, level, horizontal surface.
 - Make the Pedals stable before you step on them. Use caution when you step on and off the machine.
 - Disconnect all power before servicing this machine.
 - Do not operate this machine outdoors or in moist or wet locations. Keep the foot pedals clean and dry.
 - Keep at least 0.6 m (24") on each side of the machine clear. This is the recommended safe distance for access and passage around and emergency dismounts from the machine. Keep third parties out of this space when machine is in use.
 - Do not over exert yourself during exercise. Operate the machine in the manner described in this manual.
 - Correctly adjust and safely engage all Positional Adjustment Devices. Make sure that the Adjustment Devices do not hit the user.
 - Exercise on this machine requires coordination and balance. Be sure to anticipate that changes in speed and resistance level can occur during workouts, and be attentive in order to avoid loss of balance and possible injury.
 - Keep batteries away from heat source and hot surfaces.
 - Do not mix old and new batteries.
 - Do not mix alkaline, standard (carbon-zinc), or rechargeable (Ni-Cd, Ni-MH, etc) batteries.
 - Do not try to charge non-rechargeable batteries. Remove exhausted batteries and dispose of them safely.
 - Remove rechargeable batteries from the machine before recharging them.
 - Do not short-circuit the supply terminals on the batteries.
 - This appliance is not intended for use by persons (including children) with reduced physical, sensory or mental capabilities, or lack of experience and knowledge, unless they have been given supervision or instruction concerning use of the appliance by a person responsible for their safety.
 - Reduce the pace to slow the Pedals to a stop. Do not dismount the bike until the Pedals have come to a complete stop. Be aware that the moving Pedals can strike the backs of the legs.



SPECIFICATIONS

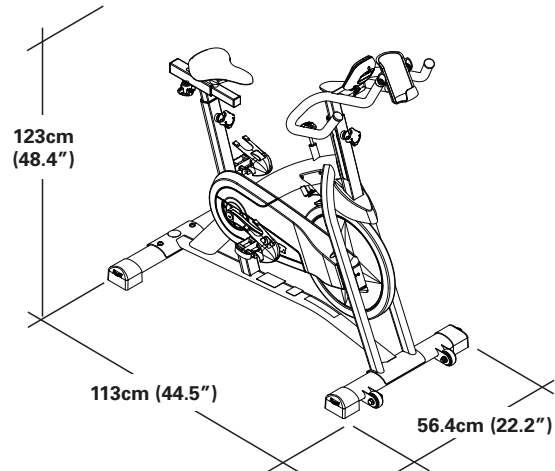
Maximum User Weight: 113 kg (250 lbs.)

Total Surface Area (footprint) of equipment:
6373 cm²

Machine Weight: 38 kg (83 lbs.)

Power Requirements: 2 AA batteries (LR6)
Operational Voltage: 1.0 - 3.3VDC

Complies with the following:



DO NOT dispose of this product as refuse. This product is to be recycled. For proper disposal of this product, please follow the prescribed methods at an approved waste center.

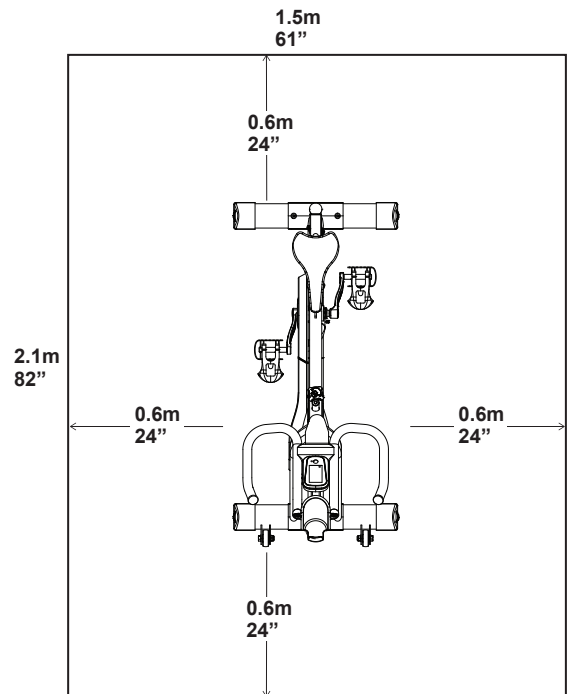
Before Assembly

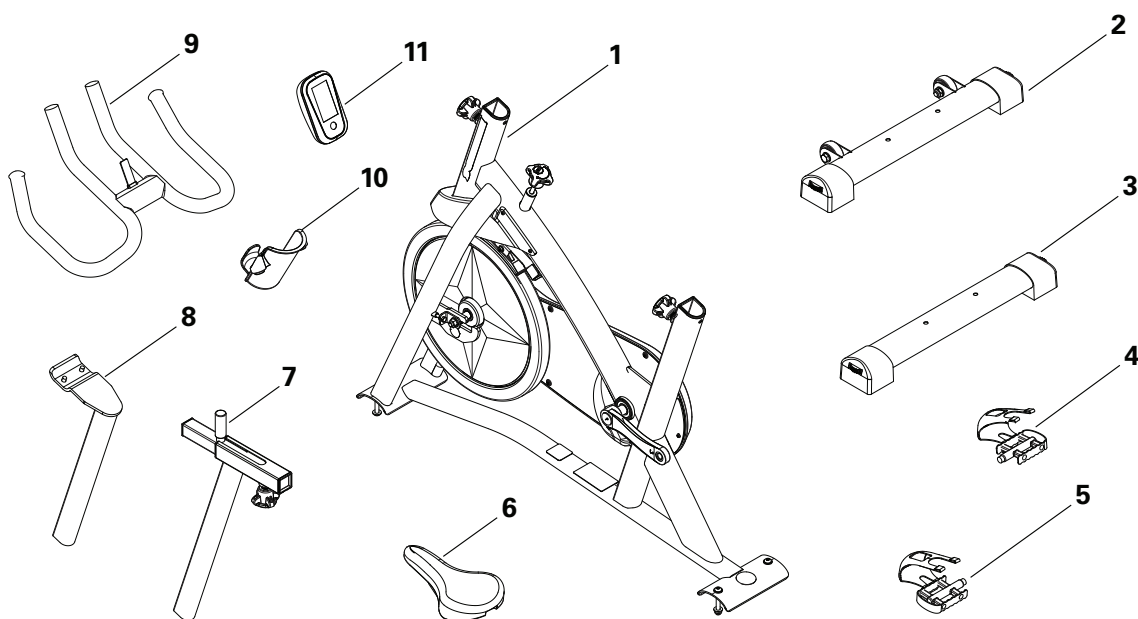
Select the area where you are going to set up and operate your machine. For safe operation, the location must be on a hard, level surface. Allow a workout area of a minimum 2.1m x 1.5m (82" x 61").

Basic Assembly Tips

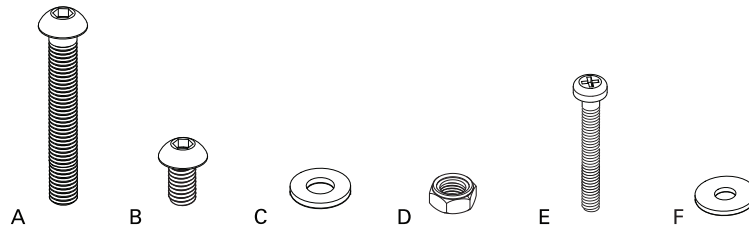
Follow these basic points when you assemble your machine:

1. Read and understand the "Important Safety Instructions" before assembly.
2. Collect all the pieces necessary for each assembly step.
3. Using the recommended wrenches, turn the bolts and nuts to the right (clockwise) to tighten, and the left (counterclockwise) to loosen, unless instructed otherwise.
4. When attaching 2 pieces, lightly lift and look through the bolt holes to help insert the bolt through the holes.
5. The assembly requires 2 people.





Item	Qty	Description	Item	Qty	Description
1	1	Main Frame	7	1	Seat Post
2	1	Front Stabilizer	8	1	Handlebar Post
3	1	Rear Stabilizer	9	1	Handlebar
4	1	Pedal, Right	10	1	Water Bottle Holder
5	1	Pedal, Left	11	1	Console
6	1	Seat			



Item	Qty	Description
A	4	Button Head Hex Screw M8 x 56
B	2	Button Head Hex Screw M8 x 20
C	8	Flat Washer M8
D	2	Lock Nut M8
E	2	Pan Head Phillips Screw M6 x 50
F	2	Flat Washer M6

Tools

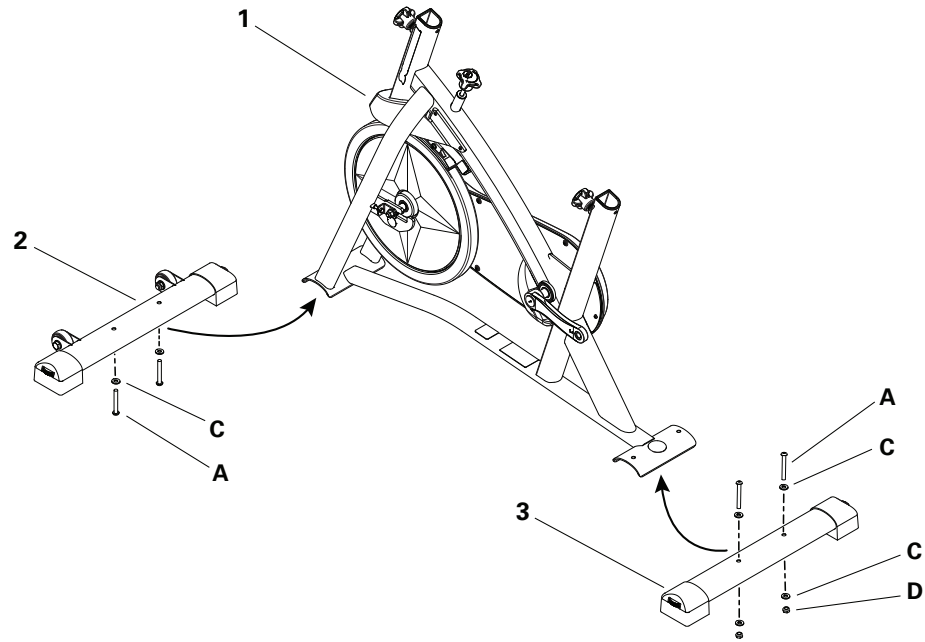
Included



6 mm



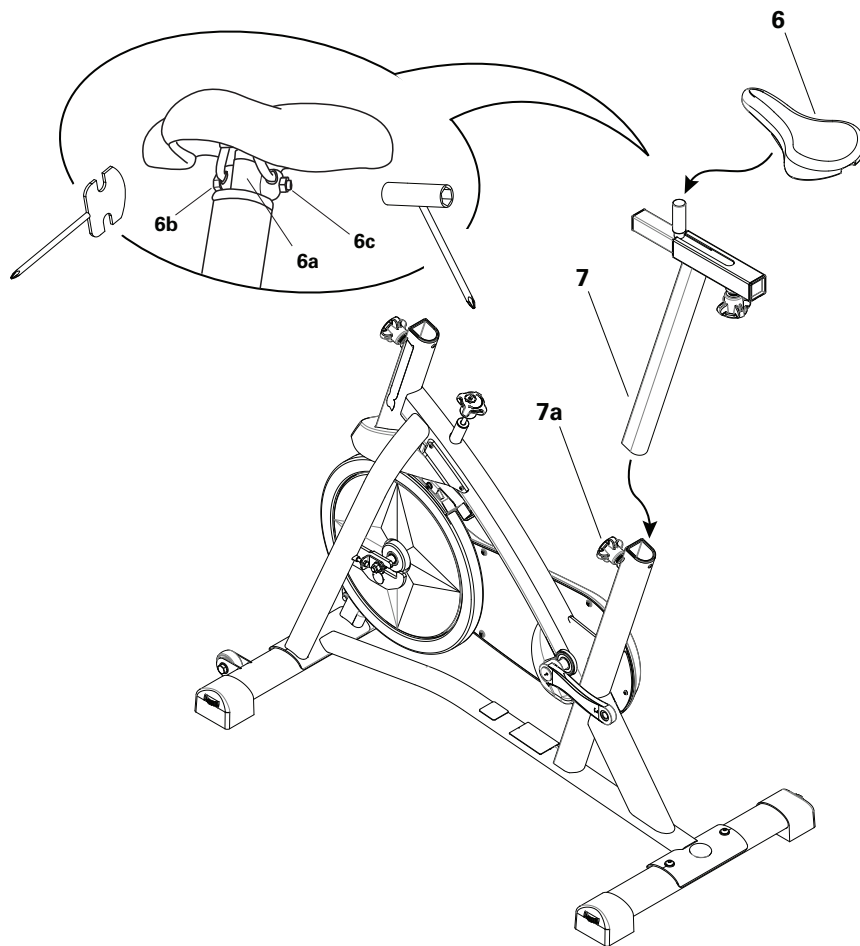
1. Attach Stabilizers to Frame Assembly



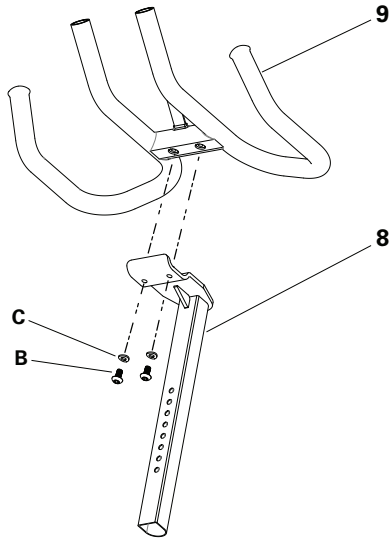
2. Attach Seat to Seat Post and Frame

NOTICE: Slide the Seat (6) onto the Seat Post (7) and install the Seat Post in the Frame. Make sure the adjustment knob (7a) engages the holes in the Seat Post.

Be sure the Seat is straight. Tighten the bolt (6b) and nut (6c) on the Seat bracket (6a) to hold the Seat in position.

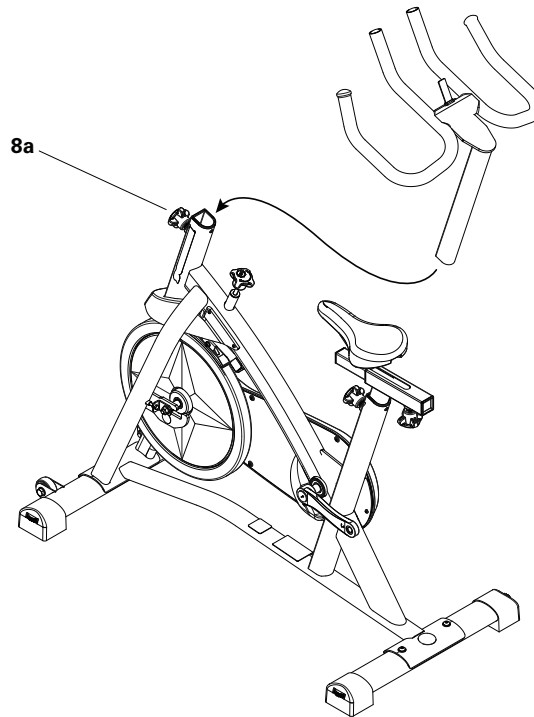


3. Attach Handlebars to Handlebar Post



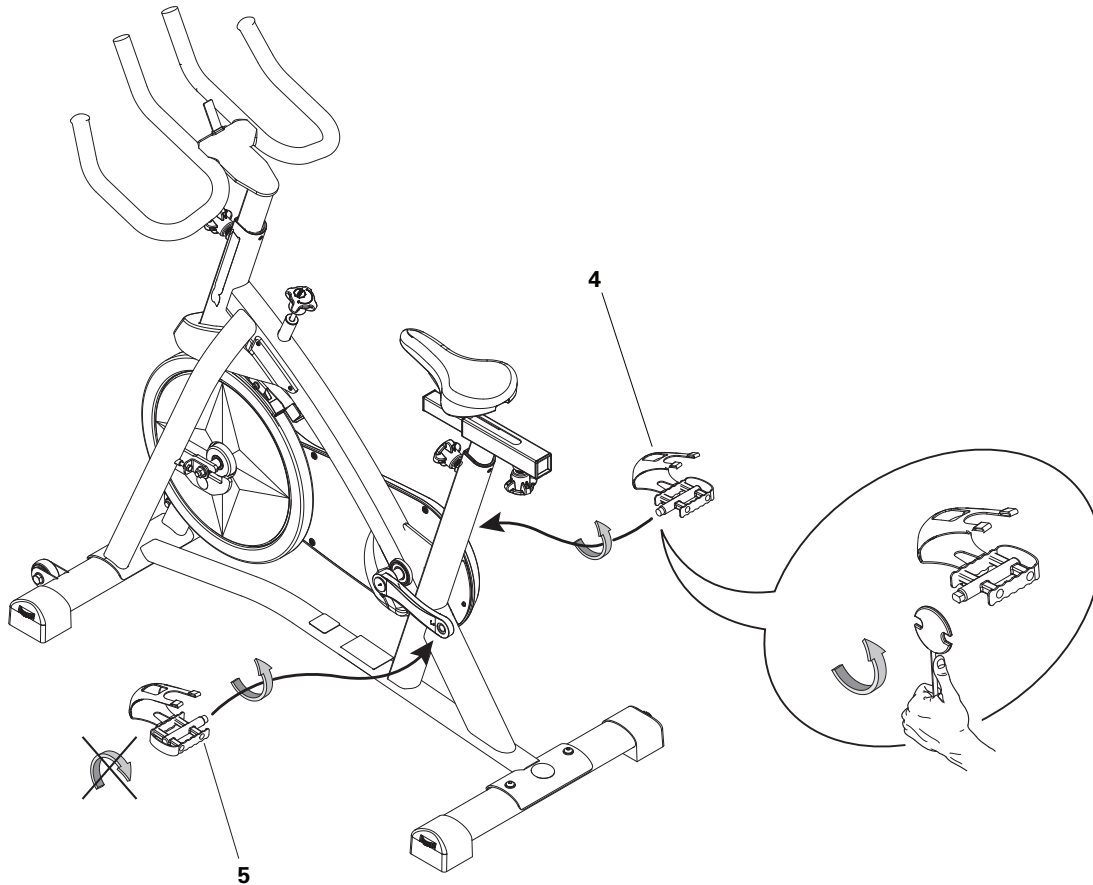
4. Install Handlebar Assembly on Frame

NOTICE: Make sure the adjustment knob (8a) engages the holes in the Handlebar Post.

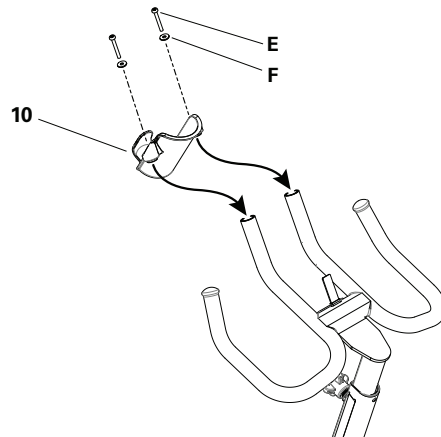


5. Attach Pedals to Frame Assembly

Note: The Left Pedal is reverse-threaded. Be sure to attach Pedals on the proper side of the Bike. Orientation is based from a seated position on the bike. The Left Pedal has an “L”, the Right Pedal an “R”.



6. Attach Water Bottle Holder to Handlebar



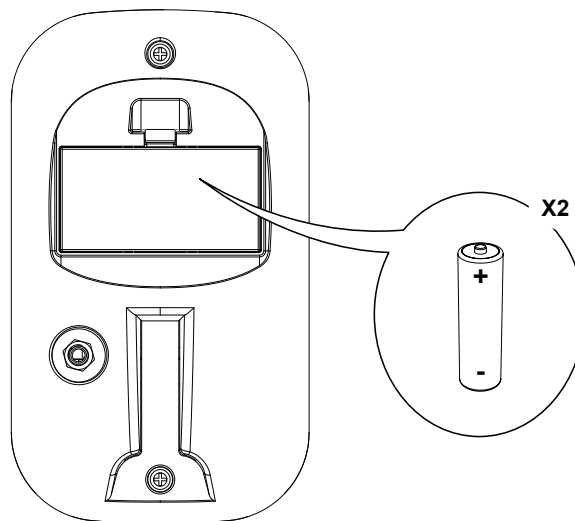
7. Install Batteries in Console

Note: The console uses AA size batteries (LR6). Make sure that the batteries point in the direction of the +/- indicators in the battery bay.



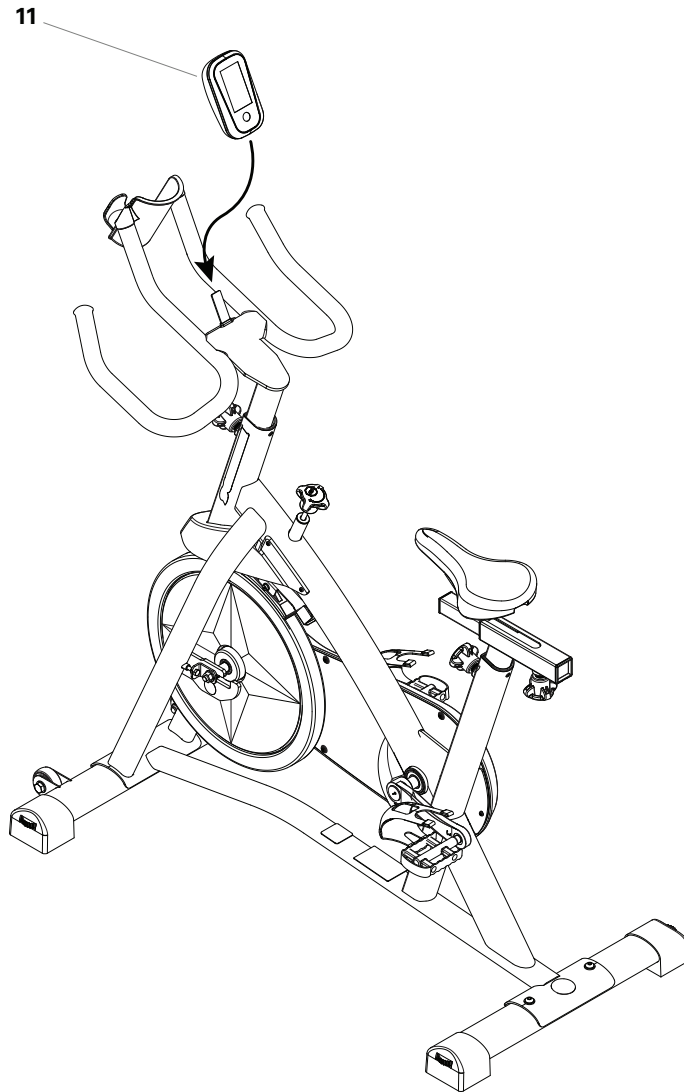
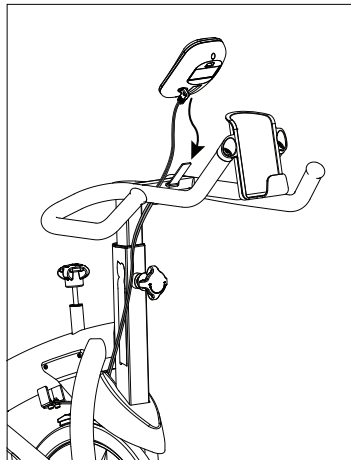
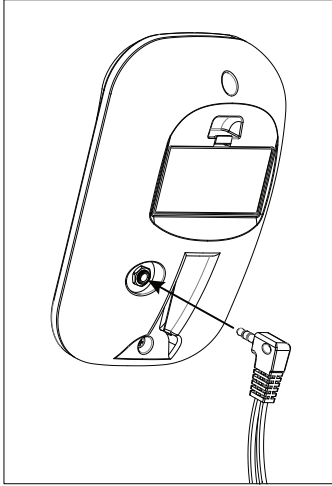
Do not mix old and new batteries.

Do not mix alkaline, standard (carbon-zinc), or rechargeable (Ni-Cd, Ni-MH, etc) batteries.



8. Connect and Attach the Console

NOTICE: Do not crimp Console Cable.



9. Final Inspection

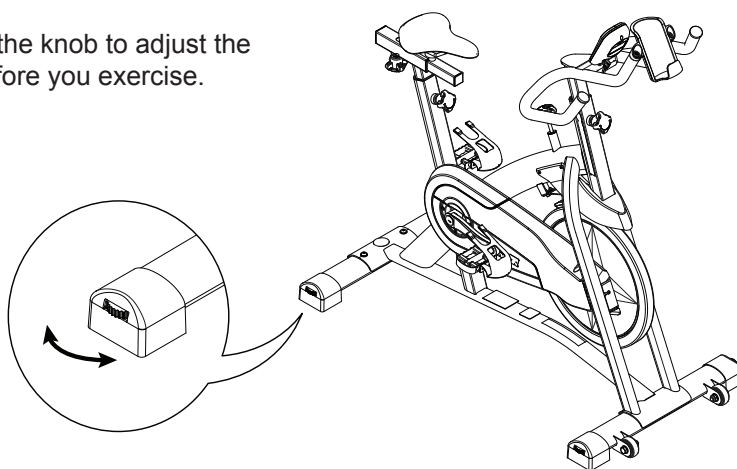
Inspect your machine to ensure that all hardware is tight and components are properly assembled.

Be sure to record the serial number in the field provided at the front of this manual. Refer to the Safety Warning Labels and Serial Number section of this manual.

⚠ Do not use or put the machine into service until the machine has been fully assembled and inspected for correct performance in accordance with the Owner's Manual.

Leveling the Bike

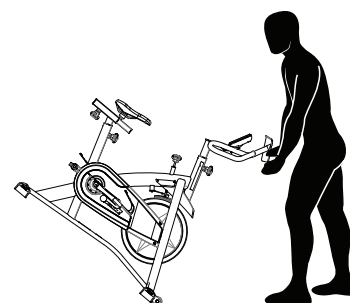
Levelers are found on each side of the stabilizers. Turn the knob to adjust the stabilizer foot. Make sure the bike is level and stable before you exercise.



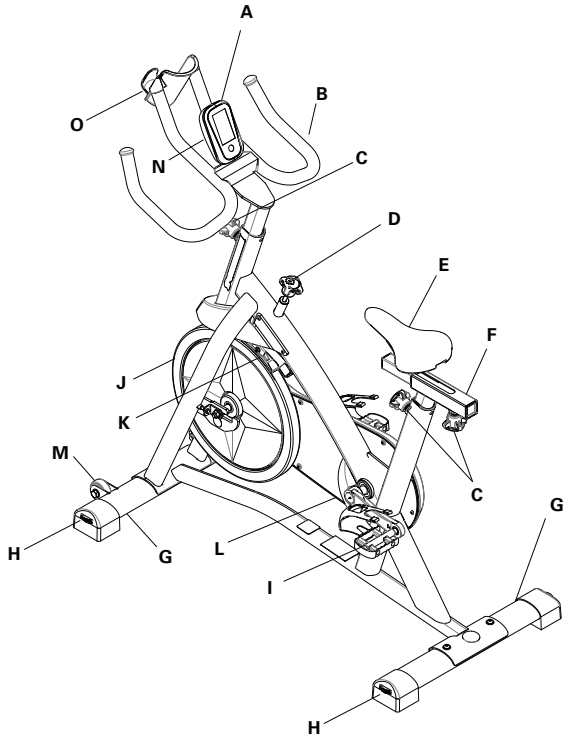
Moving the Bike

To move the bike, carefully pull the Handlebars toward you while pushing the front of the bike downward. Push the bike to the desired location.

NOTICE: Be careful when you move the machine. Abrupt motions can affect the computer operation.



FEATURES



A	Console
B	Handlebar Assembly
C	Adjustment Knob
D	Brake/Resistance Knob
E	Seat
F	Seat Slider
G	Stabilizers
H	Levelers
I	Pedals
J	Flywheel
K	Brake Assembly
L	Chain Guard
M	Transport Wheels
N	Battery Bay
O	Water Bottle Holder

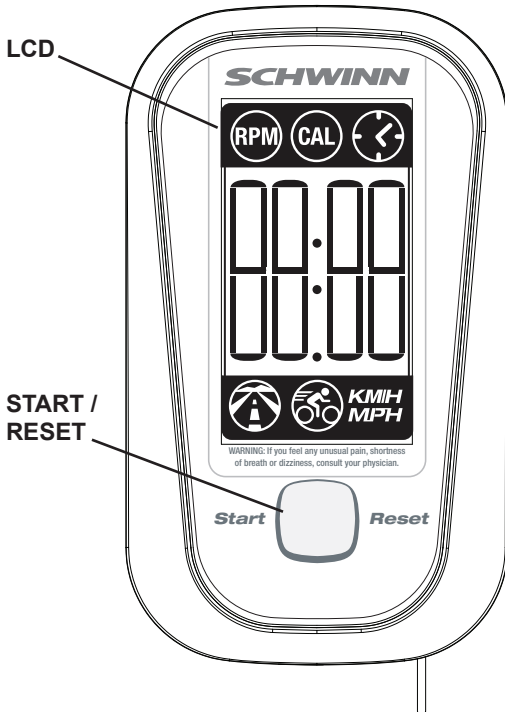
Emergency Stop

To stop the pedals immediately, push down hard on the Brake/Resistance Knob.

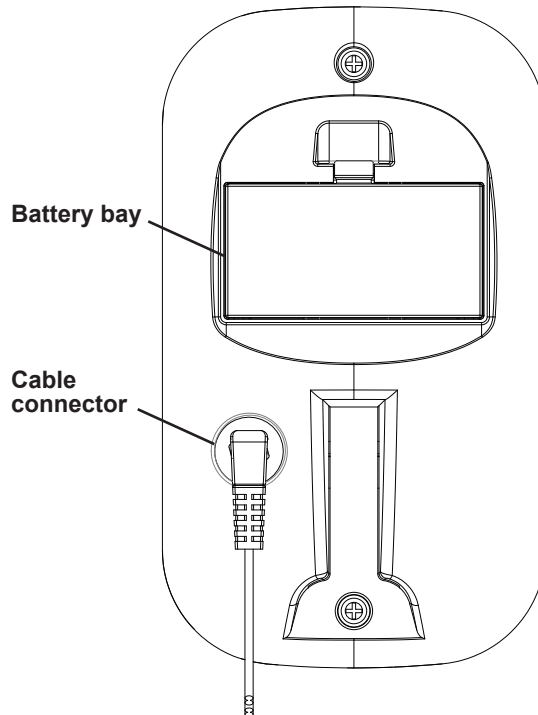
Console Features

The Console provides information about your workout on the display screen. You can also use the button to get access to information about console settings.

Front

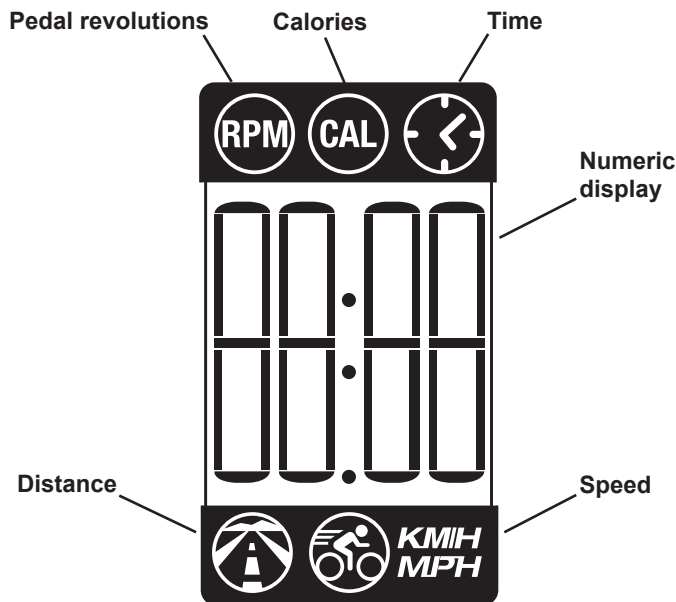


Back



START/RESET Push to start, or to stop an active workout and reset the Time to 0:00.

LCD Display Data



The console display shows each workout measurement in sequence for 5 seconds:

RPM

The RPM display field shows the machine revolutions per minute (RPM). The maximum display is 200.

CAL

The CAL display field shows the estimated calories that you have burned during the exercise. The maximum display is 9999. If the calorie count is more, the display flashes 9999.

Time

The TIME display field shows the time count in the workout. The maximum display is 99:59. If the time count is more, the display starts again at 0:00.

Distance

The DISTANCE display field shows the distance count (miles or km) in the workout, to two decimal places—for example, 1.50. The maximum display is 99.99. If the distance is more, the display starts again at 0.00.

Note: To change the measurement units to English Imperial or metric, refer to the “Service Mode” section in this manual.

Speed

The SPEED display field shows the machine speed in kilometers per hour (km/h) or miles per hour (mph), to one decimal place—for example, 10.5 or 0.0. The maximum display is 99.9.

What to Wear

Wear rubber-soled athletic shoes or appropriate cycling shoes. You will need the appropriate clothes for exercise that allow you to move freely.

How Often Should You Exercise

⚠️ Consult a physician before you start an exercise program. Stop exercising if you feel pain or tightness in your chest, become short of breath, or feel faint. Contact your doctor before you use the machine again. Use the values calculated or measured by the machine's computer for reference purposes only.

- 3 times a week for 30 minutes each day.
- Schedule workouts in advance.

Seat Adjustment

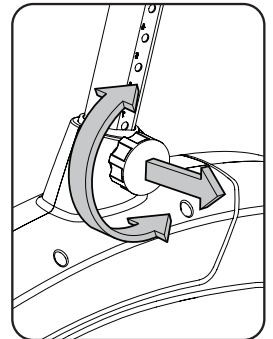
Correct seat placement encourages exercise efficiency and comfort, while reducing the risk of injury.

1. With a Pedal in the forward position, center the ball of your foot over the center of it. Your leg should be bent slightly at the knee.
2. If your leg is too straight or your foot cannot touch the Pedal, move the seat down on the upright bike. If your leg is bent too much, move the seat up on the upright bike.

⚠️ Step off the bike before you adjust the seat.

Loosen and pull the adjustment knob on the seat tube. Adjust the seat to the desired height. Release the adjustment knob to engage the locking pin. Be sure that the pin is fully engaged and fully tighten the knob.

⚠️ Do not lift the Seat Post above the MAX mark on the tube.

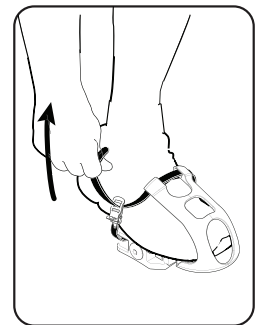


Foot Position / Pedal Strap Adjustment

Foot pedals with straps provide secure footing to the exercise bike.

1. Put the ball of each foot in the toeclips on the Pedals.
2. Fasten the strap over the shoe.
3. Repeat for the other foot.

Be sure toes and knees point directly forward to ensure maximum Pedal efficiency. Pedal straps can be left in position for subsequent workouts.



Handlebar Adjustment

Loosen and pull the adjustment knob on the handlebar mount. Adjust the handlebar assembly to the desired height. Release the adjustment knob to engage the locking pin. Be sure that the pin is fully engaged and fully tighten the knob.

⚠️ Do not lift the Handlebar Post above the MAX mark on the tube.

Workout Mode

The Console starts Workout Mode if the button is pushed, or if it receives a signal from the RPM sensor as a result of pedaling the machine. The Time starts to count up from 0:00.

Note: If the battery level is low, the Console display shows "Batt" for 10 seconds or until the button is pushed.

The Console calculates the workout data as you exercise. The Console display shows the current readings for: Time, Calories, Distance, Speed and RPM.

Changing the Resistance Level

Turn the Brake/Resistance Knob to increase or decrease the resistance at any time during your workout.

Pausing or Stopping the Workout

1. The Console pauses if the pedaling is less than 5 RPM for 3 seconds. During Pause state, the console display shows Time, Calories, Total Distance, Average Speed and Average RPM.

Start to pedal at 5 RPM or more to continue your workout.

After 5 minutes in Pause Mode, the workout stops and the Console goes into Sleep Mode.

2. Push the button to stop the workout. The Time count is reset to 0:00 and starts to count again. The time and distance data from the workout are added to the machine statistics (Total Time and Total Distance).

Auto Shut-Off (Sleep Mode)

If the Console does not receive any input in approximately 5 minutes, it will automatically shut off. The LCD display is off while in Sleep Mode.

SERVICE MODE

Service Mode lets you set the units of measure to either English or Metric, see machine statistics and firmware version (for technician use only).

1. When the Console is in Workout Mode or Pause Mode, push and hold down the button for 5 seconds to go into Service Mode.

Note: Tap the button to move through the Service Mode Menu options. When the Console display shows “dOnE”, push and hold the button for 3 seconds to reset the workout data and go back to Workout Mode.

2. The Console display shows the Units prompt. Push and hold the button to start Units option. Push the button to change between “LbS” (English units) and “SI” (metric units).
3. Push and hold the button for 3 seconds to set the units. The Console display shows the Units prompt.
4. Push the button to go to the Stats prompt. Push and hold the button to start the machine Stats option. The Console display shows Total Distance. Push the button to change between Total Distance and Total Time.

Note: The Total Distance value is a whole number of miles/km (no decimal point).

5. Push and hold the button for 3 seconds to go back to the Stats prompt.
6. Push the button to go to the Firmware Version prompt. Push and hold the button to see the firmware version of the Console.
7. Push and hold the button for 3 seconds to go back to the Firmware Version prompt.
8. Push the button to go to the exit option. The Console display shows “dOnE”.

To go back to Workout Mode, push and hold the button for 3 seconds. The workout data is reset.

To go through the Service Mode Menu again, tap the button. The Console display will show the Units prompt.

In Service Mode if the Console does not receive any input in approximately 5 minutes, it goes into Sleep Mode.

Read all maintenance instructions fully before you start any repair work. In some conditions, an assistant is necessary to do the necessary tasks.

⚠ Equipment must be regularly examined for damage and repairs. The owner is responsible to make sure that regular maintenance is done. Worn, damaged or loose components must be repaired or replaced immediately. Only manufacturer supplied components can be used to maintain and repair the equipment.

If at any time the Warning labels become loose, unreadable or dislodged, contact your local distributor for replacement labels.

Daily: Before each use, examine the exercise machine for loose, broken, damaged, or worn parts. Do not use if found in this condition. Repair or replace all parts at the first sign of wear or damage. After each workout, use a damp cloth to wipe your machine and Console free of sweat.

Note: Avoid excessive moisture on the Console.

Weekly: Clean the machine to remove any dust, dirt, or grime from the surfaces. Check for smooth seat and handlebar operation. If needed, sparingly apply a thin coating of silicone lube to ease operation.

⚠ Silicone lubricant is not intended for human consumption. Keep out of reach of children. Store in a safe place.

Note: Do not use petroleum based products.

Monthly or after 20 hours: Check pedals and crank arms and tighten as necessary. Make sure all bolts and screws are tight. Tighten as necessary. Lubricate chain with bike chain oil.

NOTICE: Do not clean with a petroleum based solvent or an automotive cleaner. Be sure to keep the Console free of moisture.

Chain Lubrication

Remove the chain guard door and apply a few drops of bike chain oil to the chain.

⚠ Do not apply oil when the chain is moving.

Note: Use caution to avoid staining clothes or carpet.

Replacing the Console Batteries

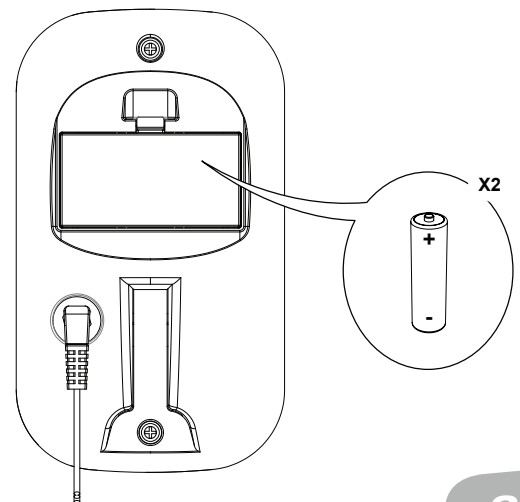
The Console display will show “Batt” during power up if the battery level is low. When replacing the batteries, make sure the batteries point in the +/- direction shown in the battery bay.

Note: The console uses AA size batteries (LR6).

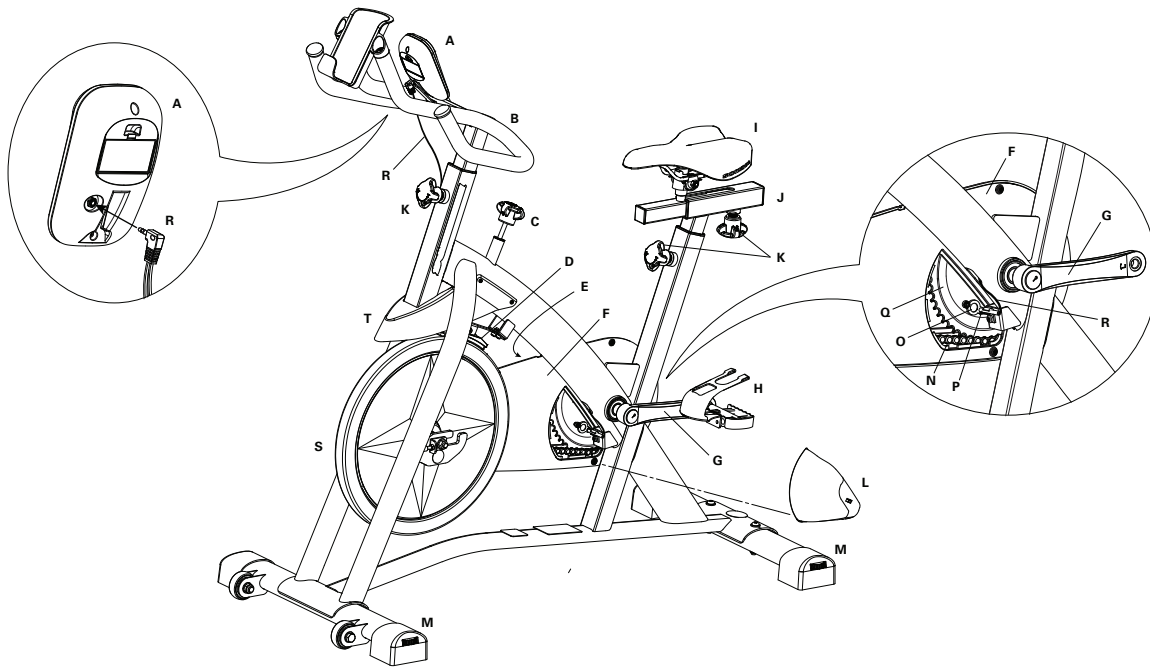
⚠ Do not mix old and new batteries.

Do not mix alkaline, standard (carbon-zinc), or rechargeable (Ni-Cd, Ni-MH, etc) batteries.

Be sure to remove the batteries to prevent corrosion damage if you are not going to use the machine for an extended period of time.



Maintenance Parts



A	Console	H	Pedals	O	Speed Sensor Magnet
B	Handlebars	I	Seat	P	RPM Sensor
C	Brake/Resistance Knob	J	Seat Post	Q	Sprocket drive
D	Brake Assembly	K	Adjustment Knob	R	Data Cable
E	Chain Guard	L	Chain Guard Door	S	Flywheel
F	Chain Guard Inside	M	Levelers	T	Brake Cover
G	Crank Arms	N	Chain		

Condition/Problem	Things to Check	Solution
Console will not power up/turn on/start	Batteries	Make sure batteries are installed correctly. If batteries are correctly installed, replace with a set of new batteries.
Speed displayed is not accurate	Display set to wrong unit of measure. (English/Metric)	Change display units.
Speed displayed is always "0"/stuck in Pause mode	Data cable	Make sure the data cable is connected to the back of the Console and the main frame assembly.
No speed/RPM reading	Check data cable integrity	All wires in cable should be intact. If any are cut or crimped, replace cable.
	Check data cable connections	Be sure cable is connected securely.
	Check magnet position (requires chain guard door removal)	Magnet should be in place on sprocket drive.
	Check RPM Sensor (requires chain guard door removal)	RPM sensor should be aligned with magnet and connected to data cable. Realign sensor if necessary. Replace if there is any damage to the sensor or the connecting wire.
Console shuts off (enters sleep mode) while in use	Check data cable integrity	All wires in the cable should be intact. If any are cut or crimped, replace cable.
	Check data cable connections/orientation	Be sure cable is connected securely and oriented properly.
	Check magnet position (requires chain guard door removal)	Magnet should be in place on sprocket drive.
	Check RPM Sensor	Contact your local distributor for further assistance.
Unit rocks/does not sit level	Check leveler adjustment	Leveling feet may be turned in or out to level bike.
	Check surface under unit	Adjustment may not be able to compensate for extremely uneven surfaces. Move bike to level area.
Pedals loose	Check pedal to crank connection	Pedal should be tightened securely to crank. Be sure connection is not cross-threaded.
	Check crank to axle connection	Crank should be tightened securely to axle.
Clicking sound when pedaling	Check pedal to crank connection	Remove pedals. Make sure there is no debris on threads, and reinstall the pedals
Rattling or grinding sound when pedaling/unit difficult to pedal	Check chain tension (requires chain guard door removal)	Open chain guard door to see the chain. Tension should not be too loose (nor too tight). Contact your local distributor for assistance.
Seat post movement	Check locking pin	Be sure adjustment pin is locked into one of the seat post adjustment holes.
	Check adjustment knob	Be sure knob is securely tightened.



Nautilus®

Bowflex®

Schwinn® Fitness

Universal®